

50 W

3.7 - 8.3 GHz

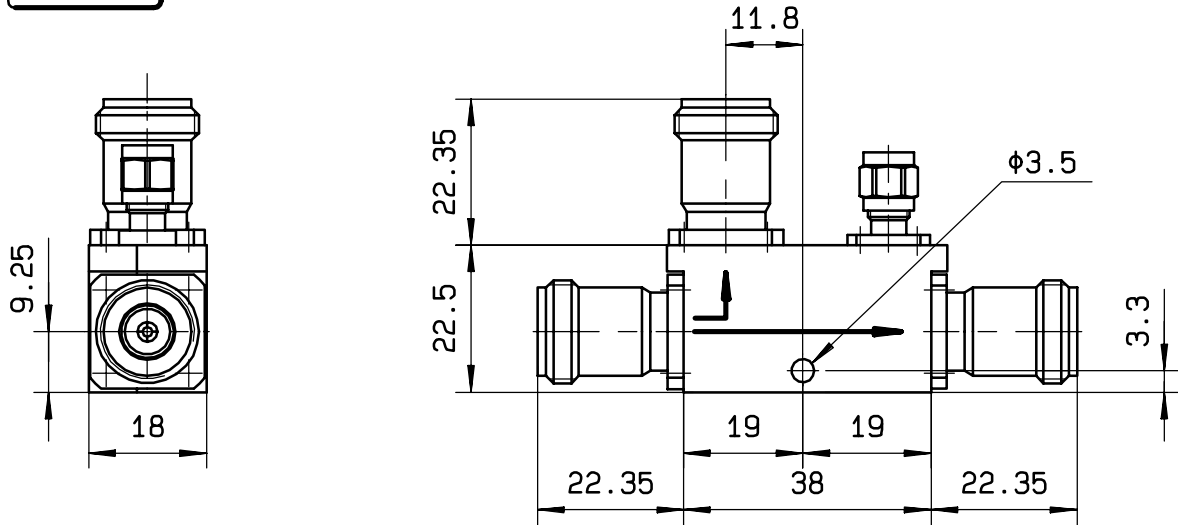
20dB

DIRECTIONAL COUPLER

issue
23.feb.94

Page
1 / 1

DRAWING



R F CHARACTERISTICS

General tolerances: +/- 0.5 mm

FREQUENCY RANGE	:	3.7 - 8.3 GHz
IMPEDANCE	:	50 Ohms
COUPLING	:	20 dB ± 0.5 dB
FREQUENCY SENSITIVITY	:	± 0.3 dB
DIRECTIVITY	:	>= 18 dB
INSERTION LOSS	:	<= 0.4 dB
V.S.W.R	- Main line	<= 1.30
	- Coupled line	<= 1.30
AVERAGE POWER at 25°C	:	50 W
PEAK POWER at 25°C (1µs,1%.)	:	3 kW

MECHANICAL CHARACTERISTICS

CONNECTORS	:	N female per MIL-C 39012
COAXIAL TERMINATION	:	50 Ohms, 1 W
WEIGHT	:	< 125 g

ENVIRONMENTAL CHARACTERISTICS

OPERATING TEMPERATURE RANGE	(°C)	:	-25 , +85
STORAGE TEMPERATURE RANGE	(°C)	:	-40 , +100

This information is given as an indication. In the continual goal to improve our products, we reserve the right to make any modifications judged necessary

4112-9211

QUALITY Dpt app. _____			
CREATION PEN : CAT EP : _____ Nom : VE Date: 23.feb.94	ISSUE	REVISIONS	NAME

RADIALL®

101. Philibert Hoffmann | Phone: 33.1.49353535
- Z.I Ouest - | Fax : 33.1.48546363
93116 ROSNY/BOIS Cedex-FRANCE | Tlx RADIA 235220F